

---

**Data Sheet**



**3" Mistral Air Filter**

**Part Number 151561**

## Data Sheet

### Description

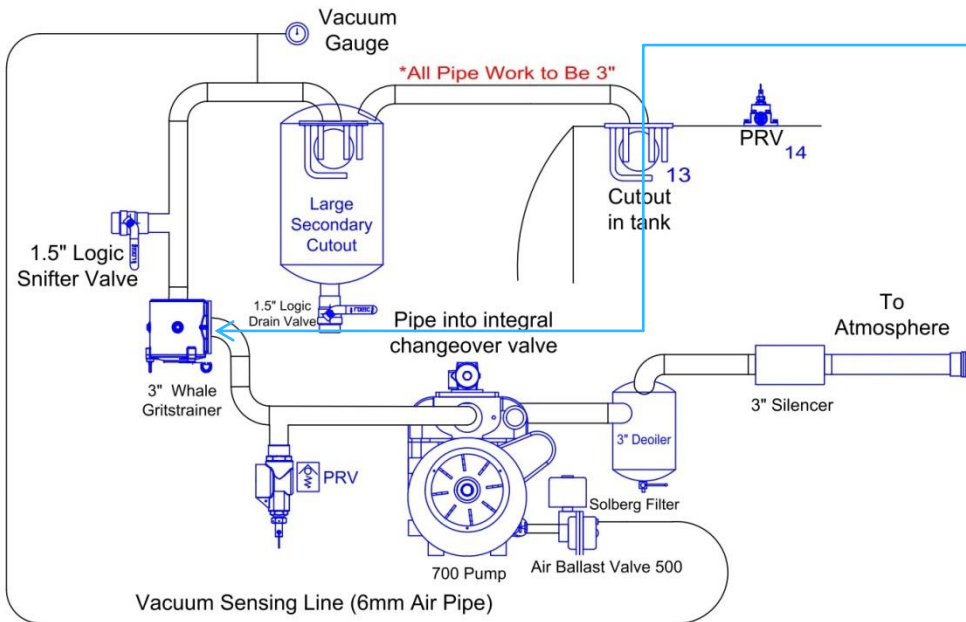
The Mistral air filters are designed to be installed in correspondence of the vacuum system line (in the immediate vicinity of the suction device) of vacuum pumps up to 1000cfm. The filter will prevent foreign bodies from entering the vacuum system and features layered mesh that uses woven wire to prevent the build-up of algae. The Mistral air filters are available in two versions: 3" aluminium and 6".

### Specification

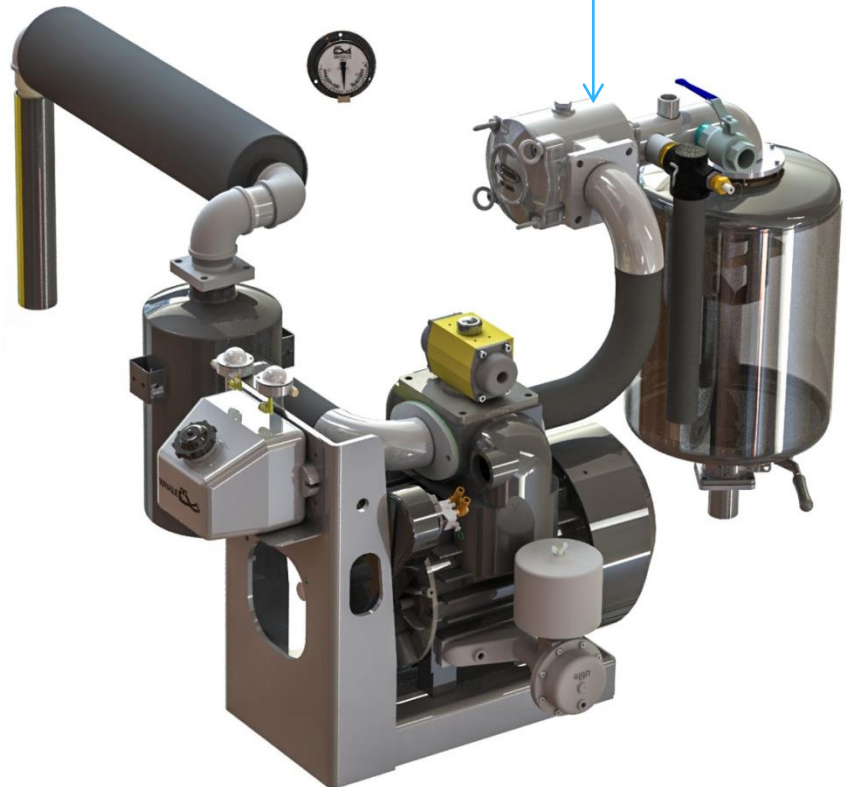
Model	Material	Max Operating Pressure (BarG)	Design Pressure (BarG)	Max Air Flow Rate ( m3/hr)	Degree of filtration ( MESH)	Weight (KG)
1000 CFM Air Filter (3")	Aluminium Alloy	-1 / +1	-1 / +4	1700 m3/hr	Mesh Hole 0.30mm (at 300 Microns)	6.7

## Data Sheet

### Application in Vacuum Set Up

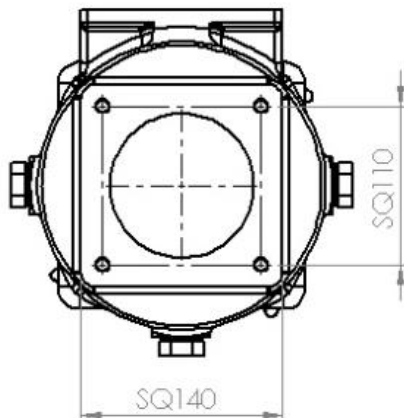
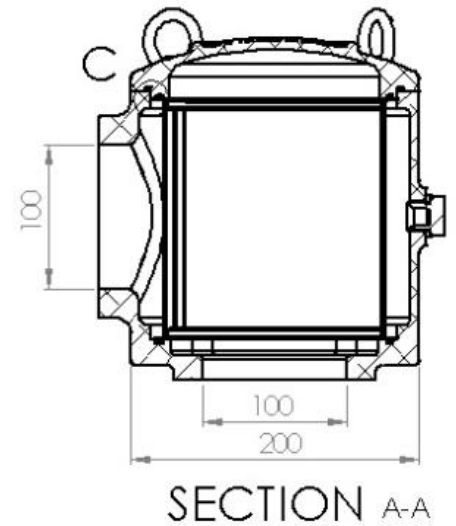
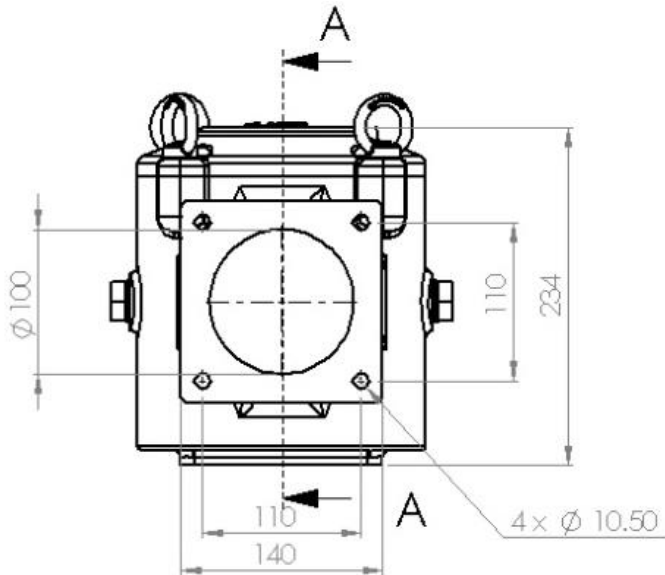


The air filter must be installed in correspondence of the intake line of the vacuum pump. We recommend installing it in the proximity of the vacuum device with outlet duct placed on the side: this prevents dirt from entering inside the pump when replacing/cleaning the filter. We recommend placing it in an easily accessible location, to simplify maintenance.



## Data Sheet

### Filter Fitting Details

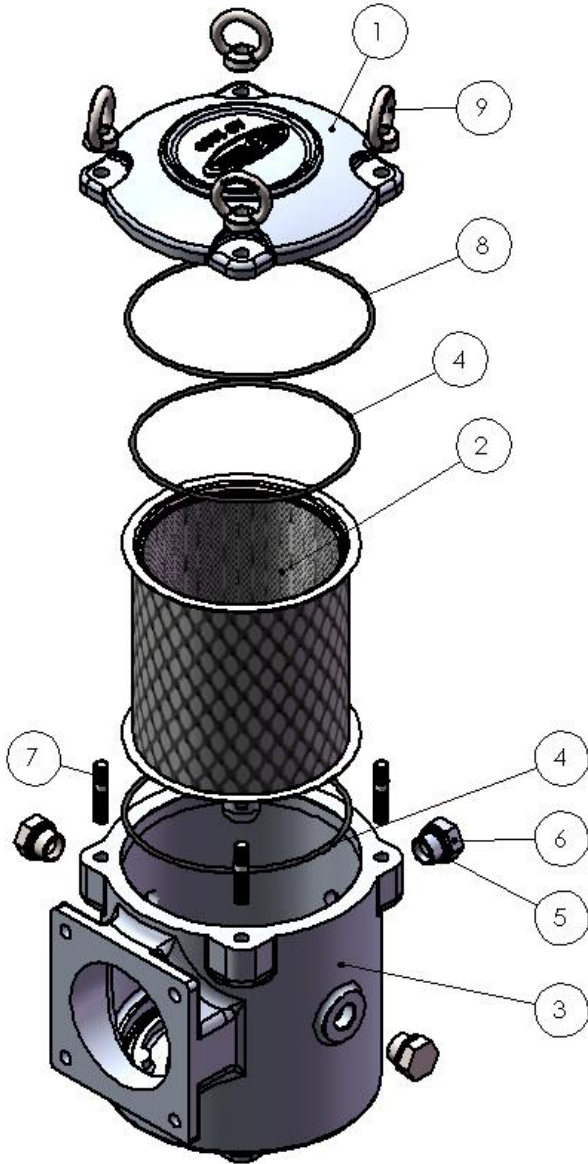


### Maintenance

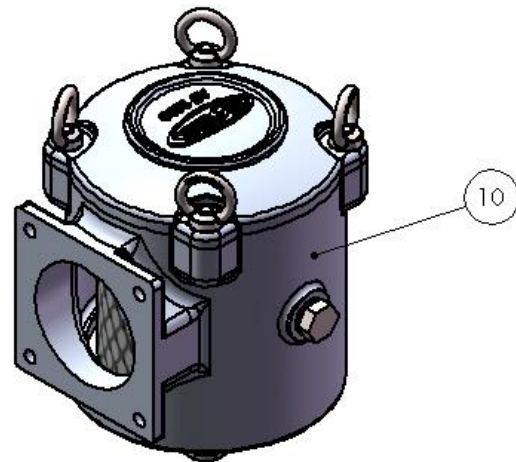
Under ordinary use conditions, we recommend cleaning the filter on a weekly basis. In the event of heavy duty conditions, clean (or replace) the element every time the vacuum performance appears to be compromised. The filter must be cold cleaned. For routine maintenance proceed as follows: Loosen the four eyebolts and remove/open the cover; Extract the filtering cartridge and the relative seals clean with detergent and blow compressed air until clean.

## Data Sheet

### Parts Drawing



Item	Part Number	Description	QTY.
1	137110	Air Filter Cover	1
2	136962	Filter Element	1
3	137109	Air Filter Body	1
4	133056	Filter O-Ring	2
5	-	1/2" BSP Dowty Washer (SS 316)	3
6	103227	1/2" BSP Blanking Plug (SS 316)	3
7	115826	M10 x 50 Stud	4
8	133057	Cover O-Ring	1
9	146727	M10 Eye Nut	4
10	151561	Complete 3" Air Filter	1



Whale Parts:

Web: [www.WHALEPARTSDIRECT.co.uk](http://www.WHALEPARTSDIRECT.co.uk)

Phone: 0121 704 5720

Email: [parts@whale.co.uk](mailto:parts@whale.co.uk)